

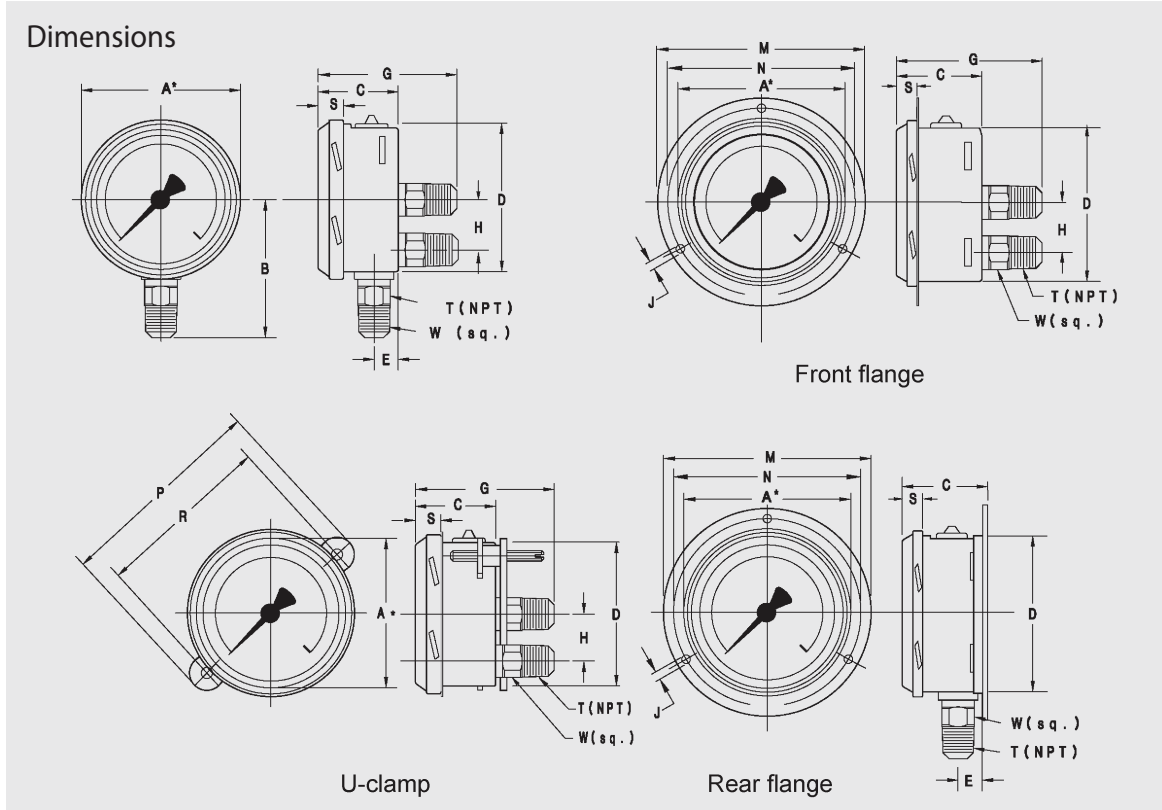
Pointer
Black aluminum, friction adjustable

Case
304 stainless steel with vent plug and polished stainless steel bayonet ring. Suitable for liquid filling. Welded case/socket connection

Window
Laminated safety glass with Buna-N gasket

Case fill
Glycerine 99.7% - Type 233.54

- Optional extras
- 316SS restrictor
 - Accuracy $\pm 1.0\%$ of full scale (2 1/2" size)
 - Stainless steel front or rear flange
 - Zinc-plated steel or SS u-clamp bracket (field installable)
 - Red drag pointer or mark pointer
 - Silicone or fluorolube case filling
 - Special connections limited to wrench flat area
 - Custom dial layout
 - Other pressure scales available
bar, kPa, MPa, kg/cm² and dual scales



| Size | | A | B | C | D | E | G | H | J | M | N | P | R | S | T | W | Weight |
|------|----|------|------|------|------|------|------|------|------|------|------|------|------|------|------|------|-----------------|
| 2.5" | mm | 70 | 54 | 33.5 | 62 | 13 | 55.5 | - | 3.6 | 85 | 75 | 87 | 72 | 12 | | 14 | 0.36 lb. dry |
| | in | 2.75 | 2.13 | 1.32 | 2.44 | 0.51 | 2.19 | - | 0.14 | 3.35 | 2.95 | 3.43 | 2.83 | 0.47 | 1/4" | 0.55 | 0.44 lb. filled |
| 4" | mm | 110 | 87 | 49.5 | 100 | 15.5 | 81 | 30 | 4.8 | 132 | 116 | 125 | 110 | 15 | | 22 | 1.10 lb. dry |
| | in | 4.30 | 3.43 | 1.95 | 3.94 | 0.61 | 3.19 | 1.18 | 0.19 | 5.20 | 4.57 | 4.92 | 4.33 | 0.59 | 1/2" | 0.87 | 1.76 lb. filled |

Recommended panel cutout is dimension D + 1 mm

Ordering information
Pressure gauge model / Nominal size / Scale range / Size of connection / Optional extras required
Specifications and dimensions given in this leaflet represent the state of engineering at the time of printing.
Modifications may take place and materials specified may be replaced by others without prior notice.

BC Group International Inc.
3081 Elm Point Industrial Dr.
St. Charles, MO 63301-4333 USA
Tel (314) 638-3800
Fax (314) 638-3200
E-Mail: sales@bcgroupintl.com
www.bcgroupintl.com